

Peak Emission Wavelength: 1050nm



**Description**

- Size 1206: 3.2 (L) x 1.6 (W) x 1.2 (H) mm
- Circuit substrate: glass laminated epoxy
- Devices are RoHS conform
- Lead free solderable, soldering pads: gold plated
- Taped in 8 mm blister tape, cathode to transporting perforation
- All devices are sorted into radiant intensity classes
- High radiation intensity types
- Taping: face-up (TU) or face-down (TD) possible

Absolute Maximum Ratings (Ta=25°C)



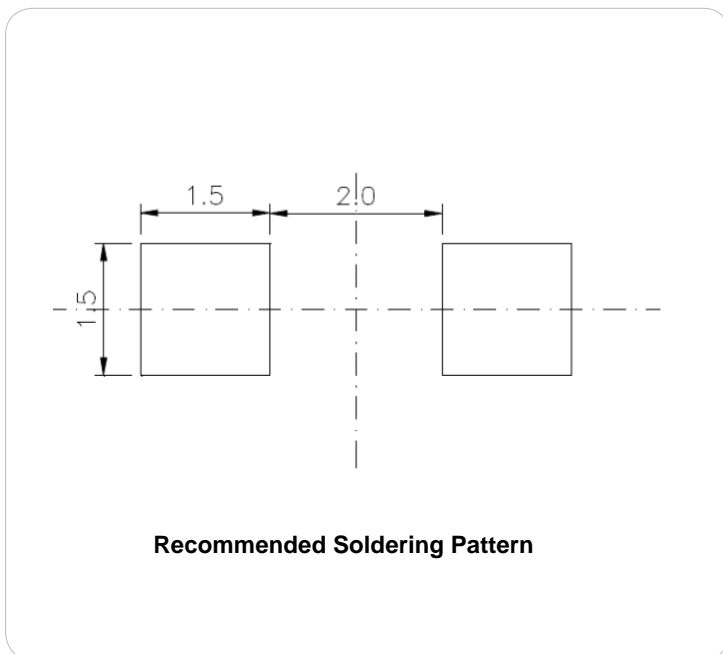
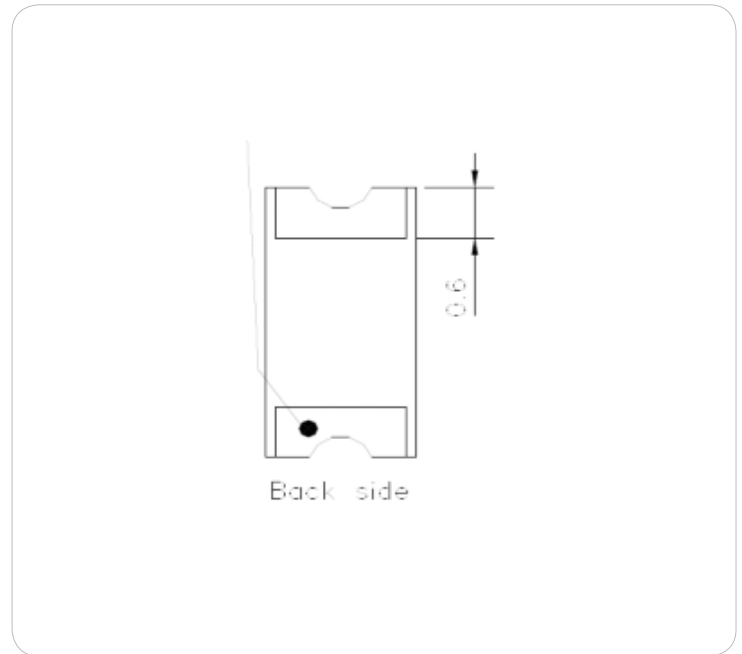
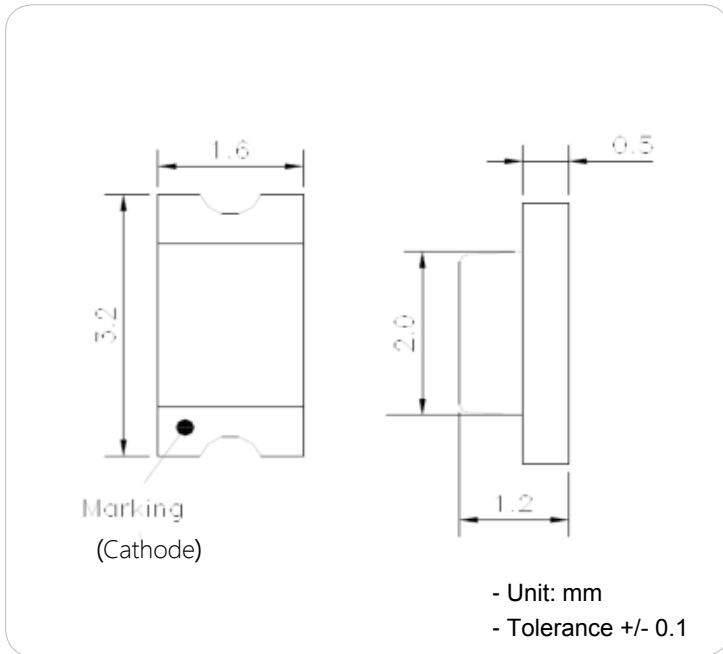
ITEMS	SYMBOL	RATINGS	UNIT
Forward DC Current	If	50	mA
Peak Forward Current *	Ifp	100	mA
Reverse Voltage	Vr	5	V
Reverse Current	Ir	100	uA
Operating Temperature	Top	-40 to +85	°C
Storage Temperature	Tst	-55 to +85	°C
Thermal Resistance	RthJA	450	K/W

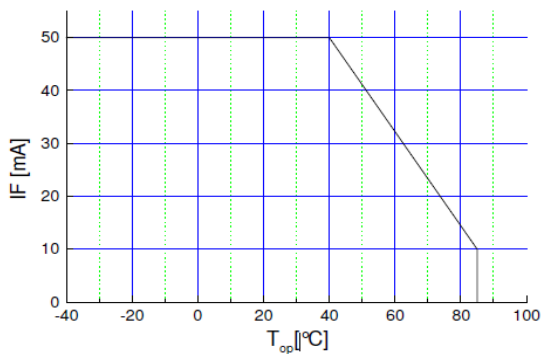
\* tp ≤ 100 us, T=1:10

Electrical & Optical Characteristics (Ta = 25°C)

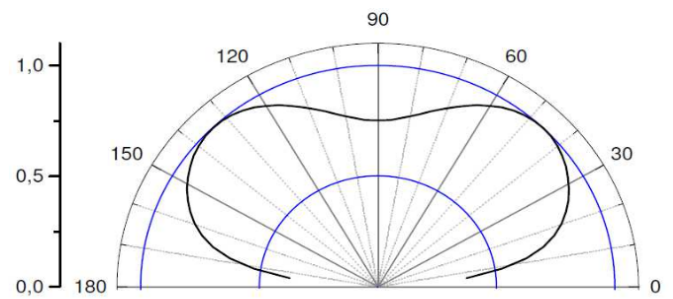
ITEMS	SYMBOL	MIN	TYP	MAX	UNIT
Forward Current	If	--	--	50	mA
Forward Voltage	Vf	--	1.2	1.35	V
Peak Wavelength	λp	1040	1050	1060	nm
Radiant Intensity	Ie	0.7	1.2	--	mW/sr
Spectral Bandwidth	Δλ0.5	--	80	--	nm

Package Dimensions



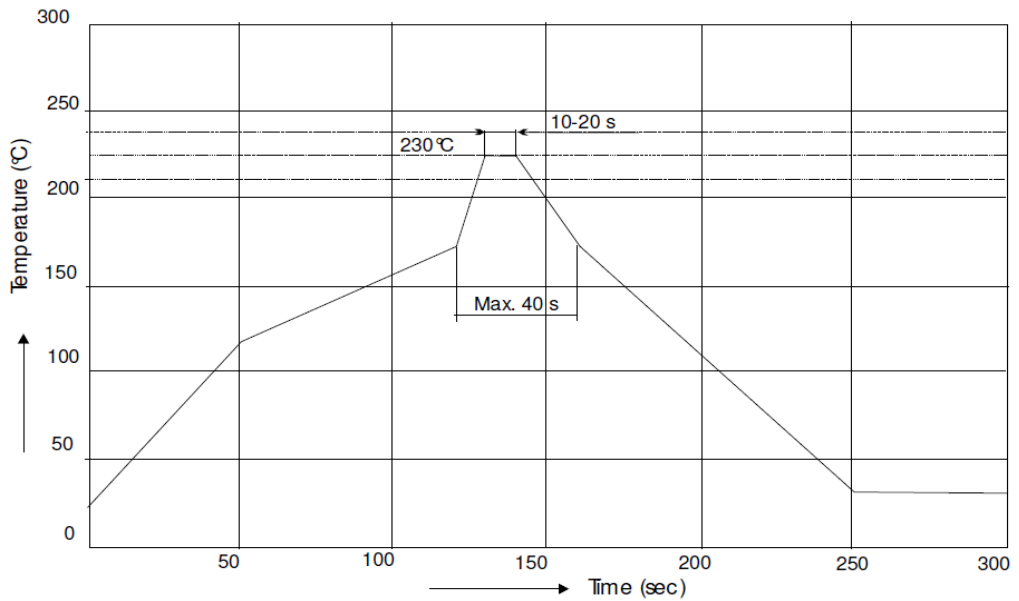


**Maximal  
forward  
current (DC)  
characteristic**

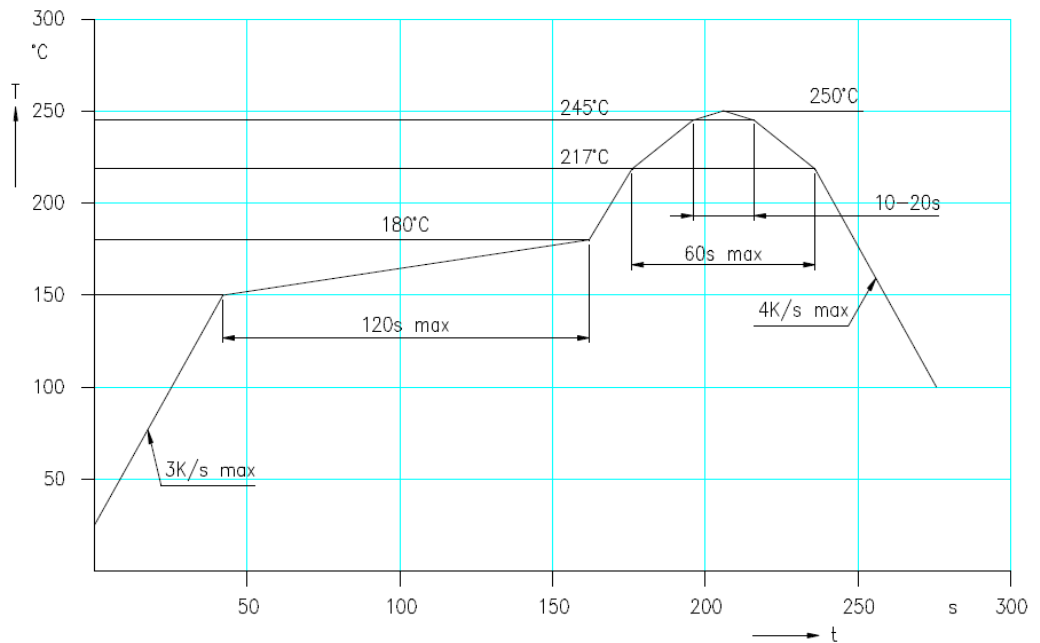


**View angle**

**IR reflow soldering profile**



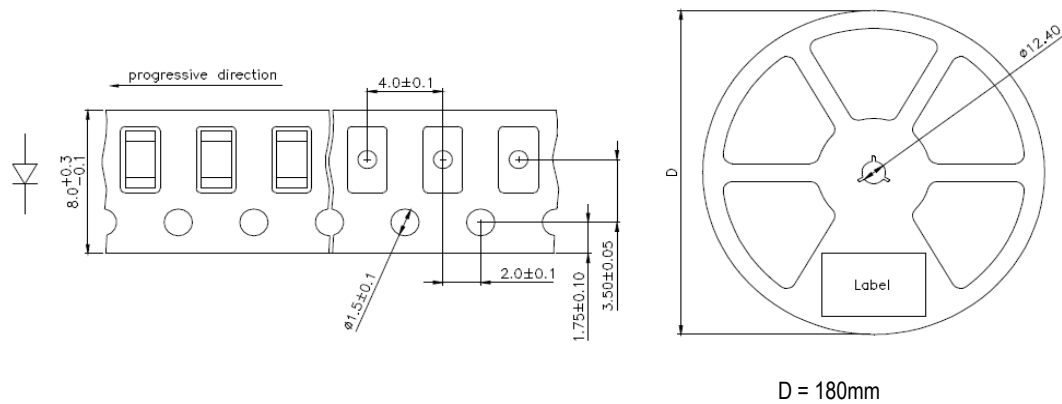
**IR reflow soldering profile for lead free soldering**



**Manual soldering:**  
max power of iron 25 W / 3 s / 300°C

Measured according to CIE 127. All SMD-LEDs are 100% measured and selected on full automated equipment with an accuracy of  $\pm 11\%$ .

**Tape and Reel packing**



D = 180mm

Tape and Reel - Suffice to the part number	
Ex:	MTXXXXX-T05 = 500 piece reel
Code	Components per reel
T05	500
T1	1000
T2	2000
T25	2500
T3	3000

**Packing:** The reel is sealed in special plastic bag with integrate ESD protection (MIL - STD 81705) including a silica dry-pack